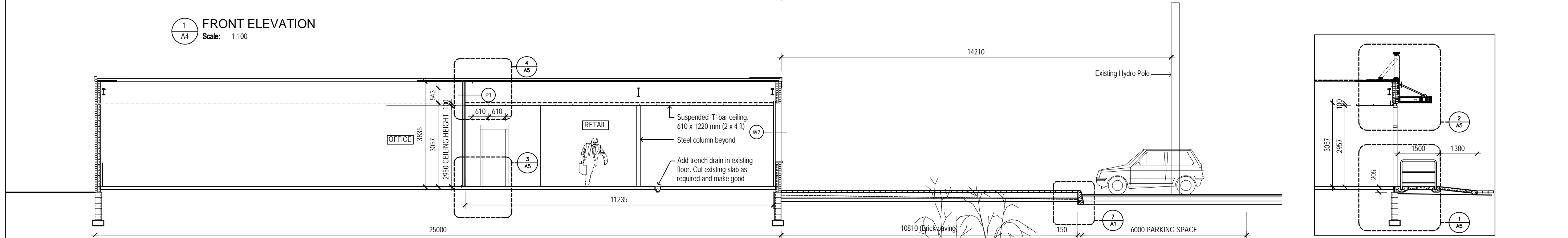
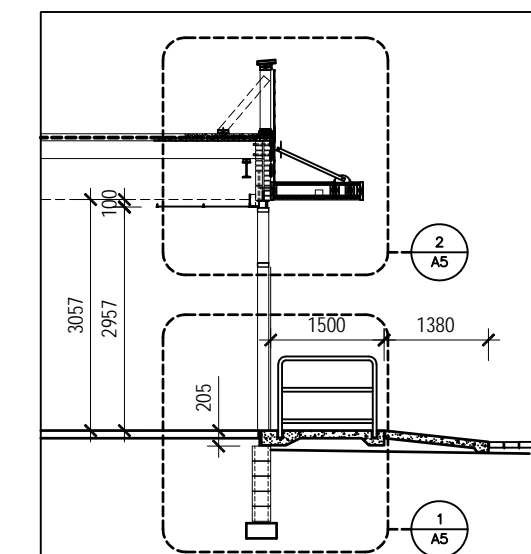


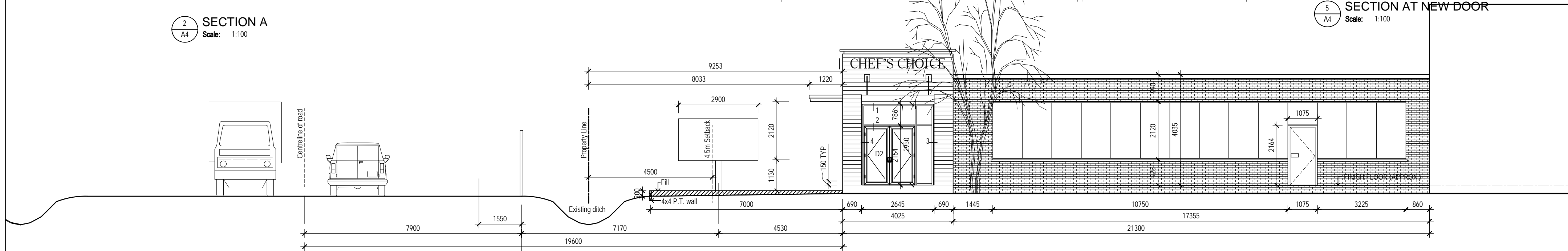
1 FRONT ELEVATION
Scale: 1:100



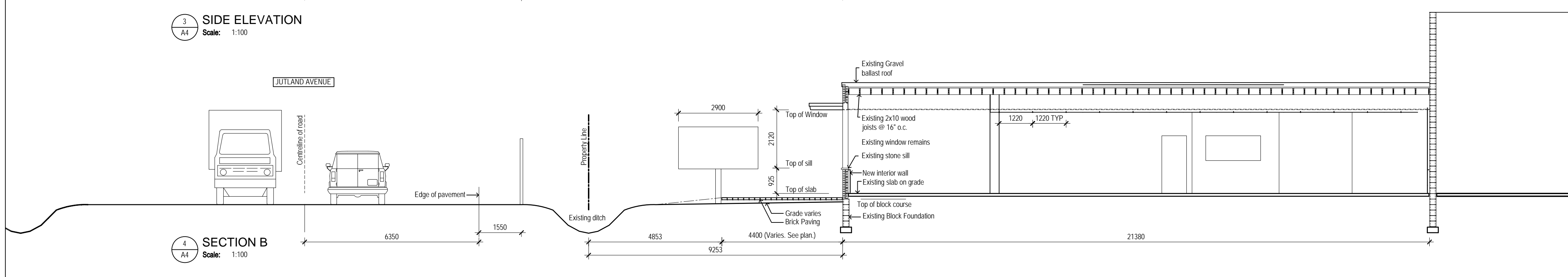
2 SECTION A
Scale: 1:100



5 SECTION AT NEW DOOR
Scale: 1:100



3 SIDE ELEVATION
Scale: 1:100



4 SECTION B
Scale: 1:100

ELEVATIONS AND SITE SECTION

jba John Boone ARCHITECT

745 Queen Street East, Toronto, Ontario, M4M 1H3 Canada
Tel: 416 469 3264 Fax: 416 461 5560 Email: jboone@nobelmed.com
This drawing is the Property of John Boone Architect and may be used for this project only. Scale from drawings for reference only. Dimensions to be checked and verified by the contractor on site.

50 JUTLAND ROAD
Toronto, Ontario

DRAWING SCALE 1:100
PROJECT DATE JUNE 10 2005
PROJECT NUMBER 05A06
DRAWN BY JB

2 August 22, 2005 Submitted for Building Permit
1 July 20 2005 Submitted for Preliminary Review
No. Date Description

PLOT DATE : June 29, 2006

A4